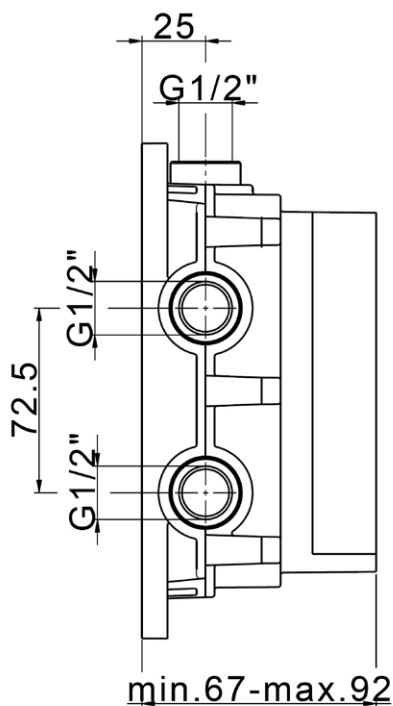
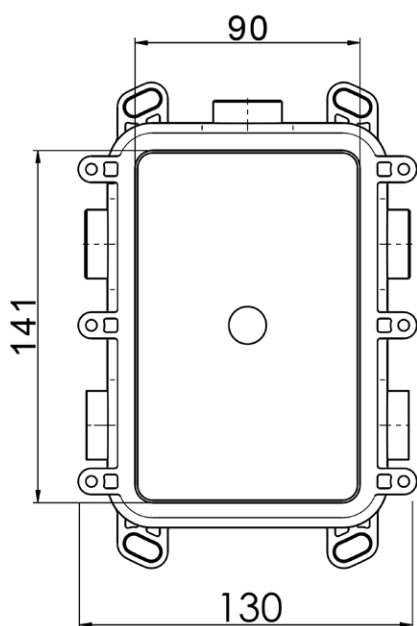


UmaBox installation

Concealed part for 1,2 or 3 outlet
thermostatic valves

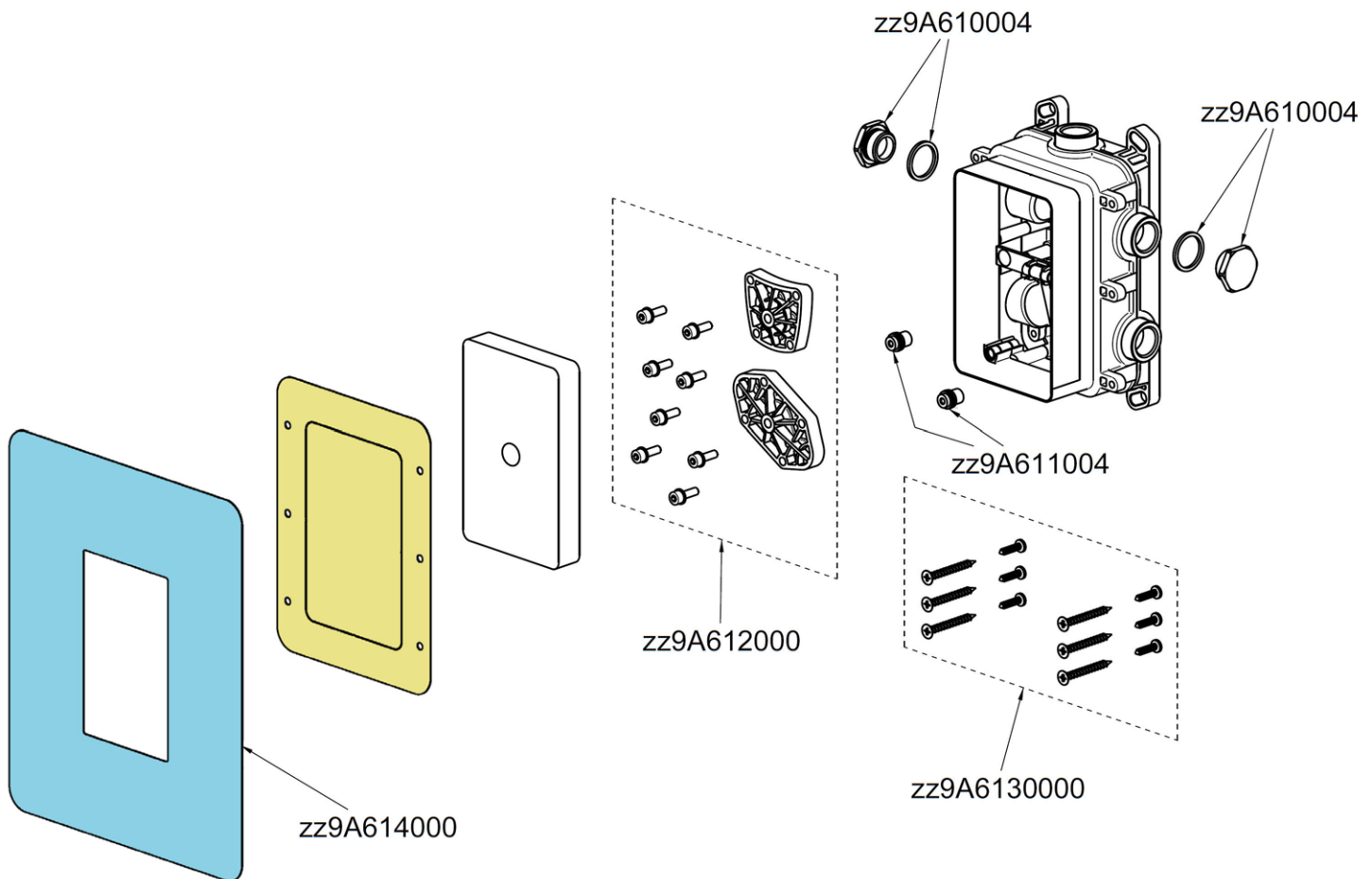


CIFIAL®

www.cifial.co.uk
sales@cifial.co.uk

dimensions mm

** Please leave these instructions
with the user and keep them

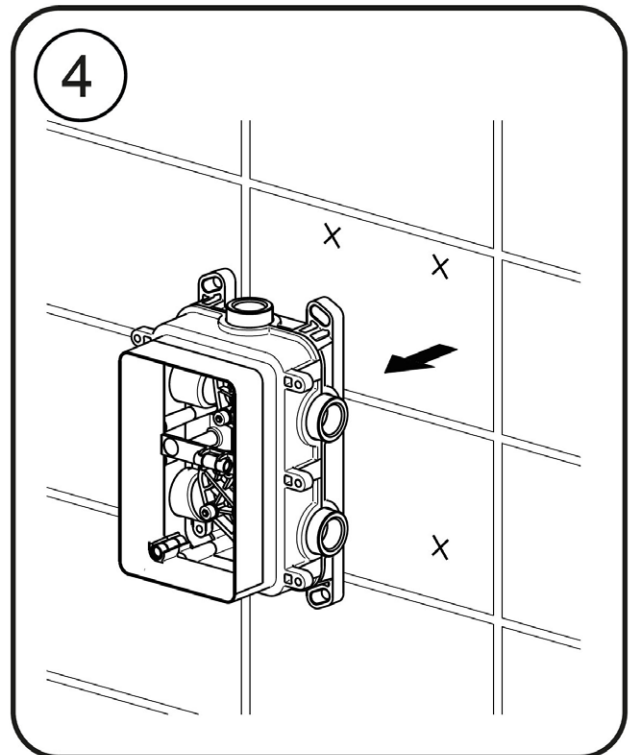
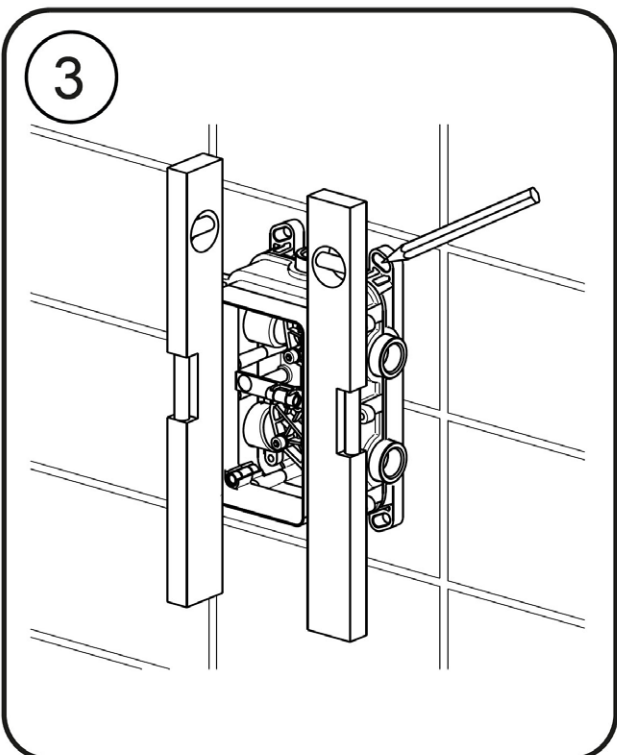
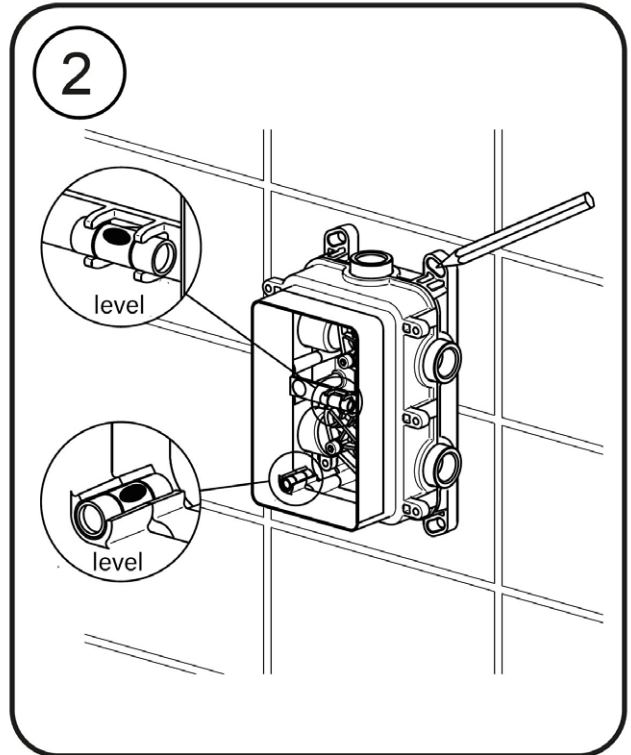
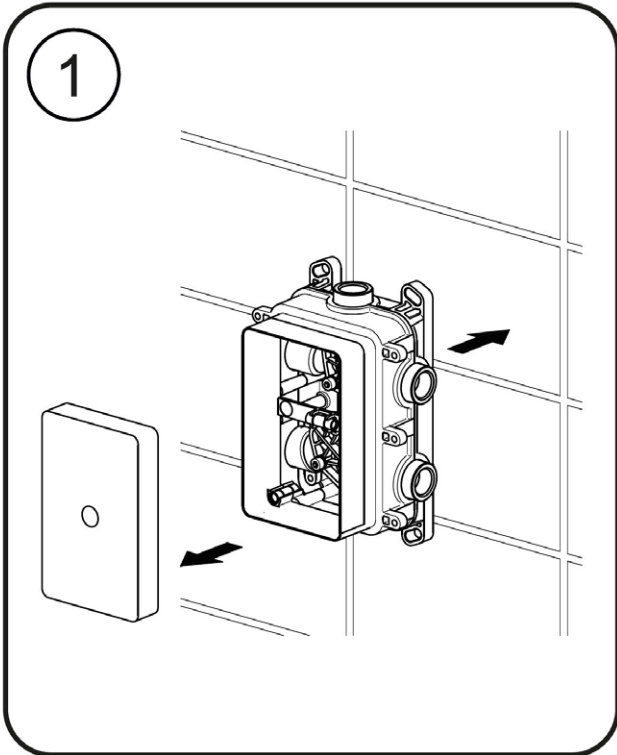


OPERATING CONDITIONS

- Minimum dynamic pressure.....1 bar
- Recommended working pressure (static).....3 bar
(ATTENTION: when pressure exceeds 5 bar, the installation of a pressure reducer is recommended)
- Maximum working pressure (static).....5 bar
- Maximum test pressure (static).....16 bar
- Maximum hot water temperature.....80 °C
- Recommended hot water temperature.....65 °C (for safety and energy saving)

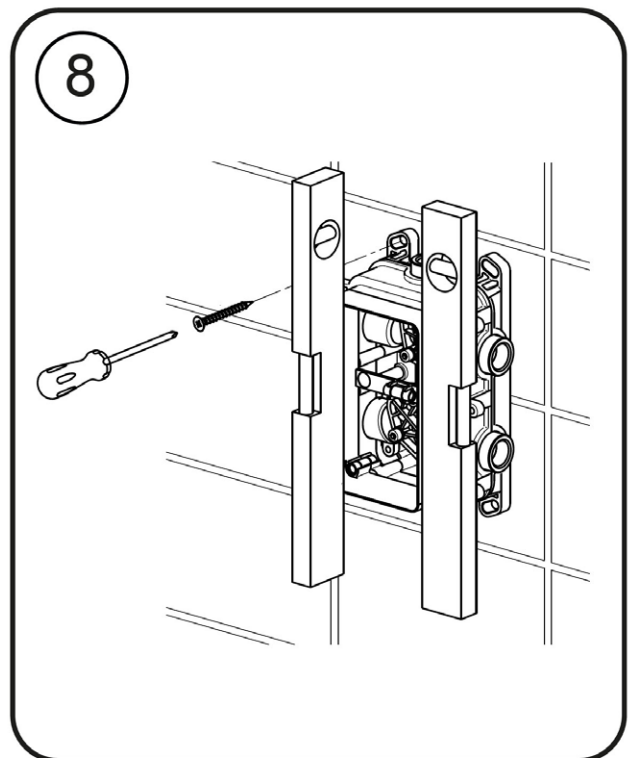
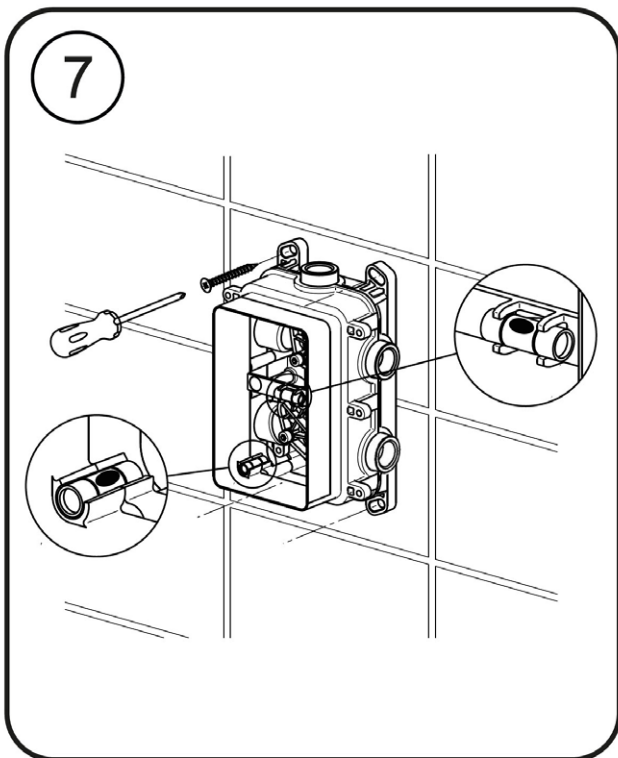
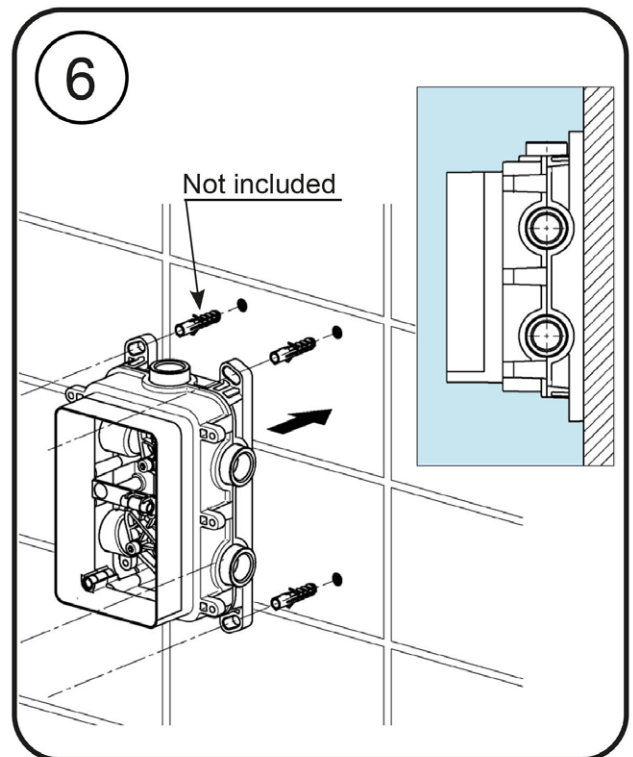
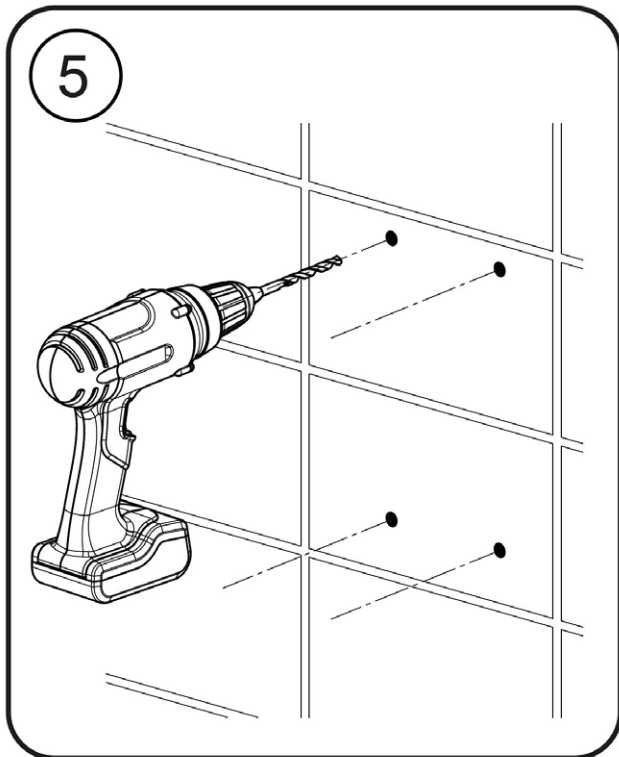
CIFIAL®

www.cifial.co.uk
sales@cifial.co.uk



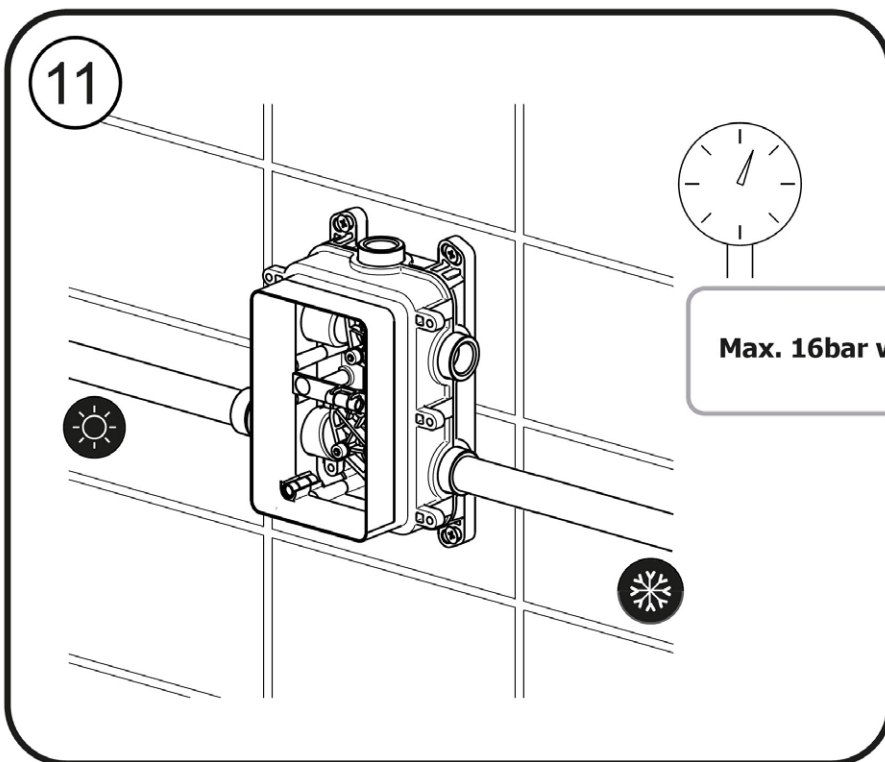
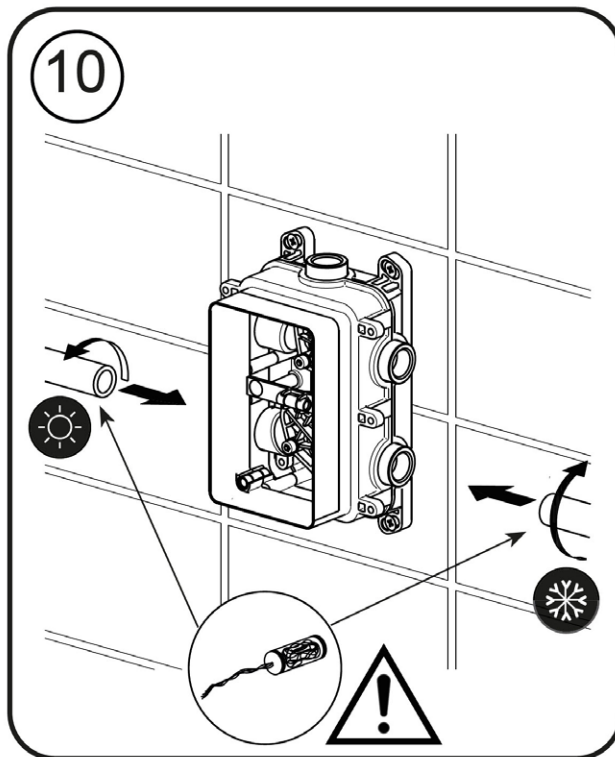
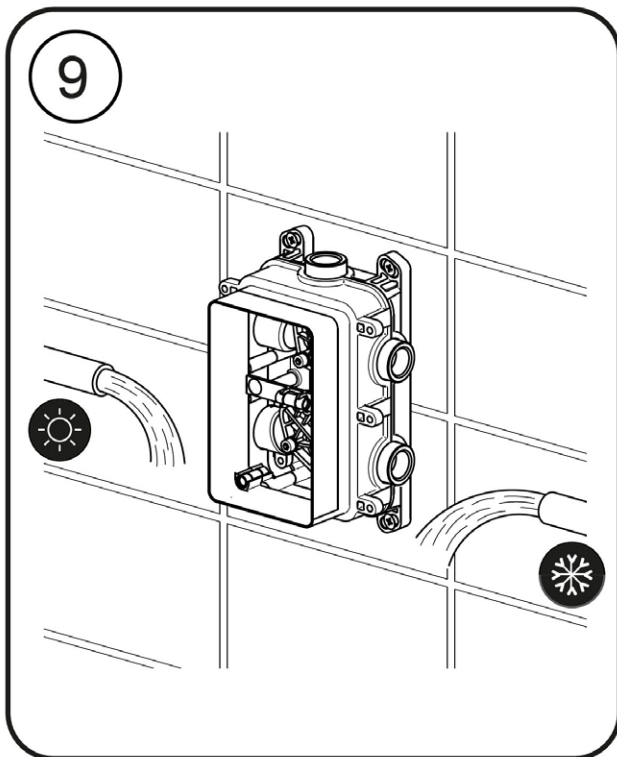
CIFIAL[®]

www.cifial.co.uk
sales@cifial.co.uk



CIFIAL[®]

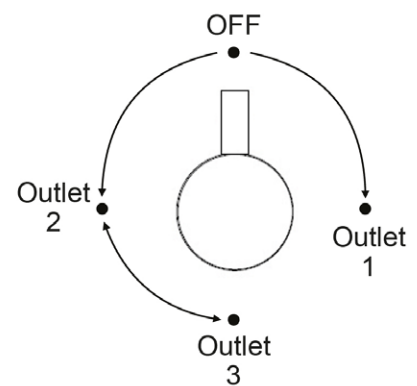
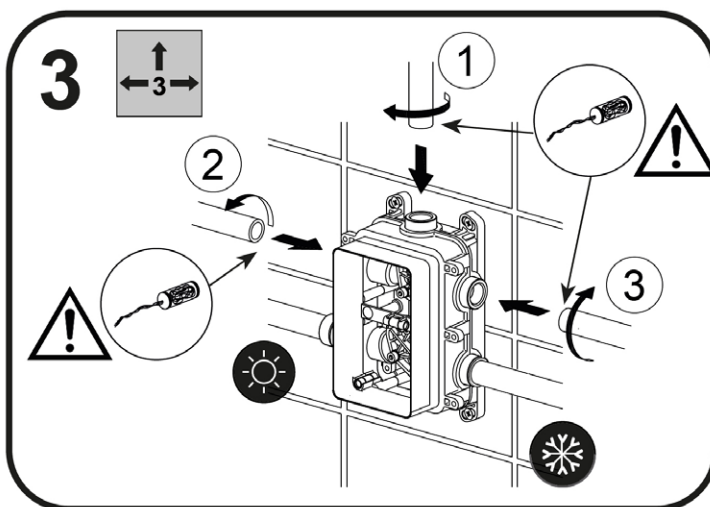
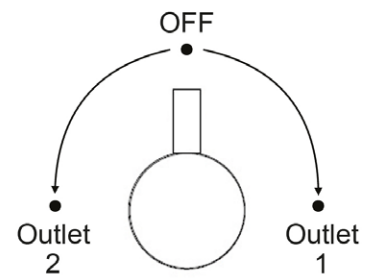
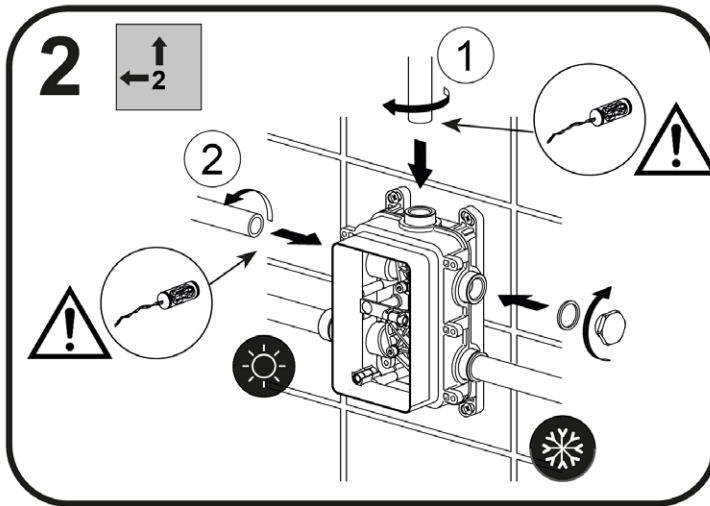
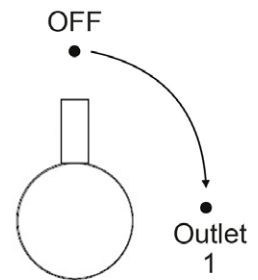
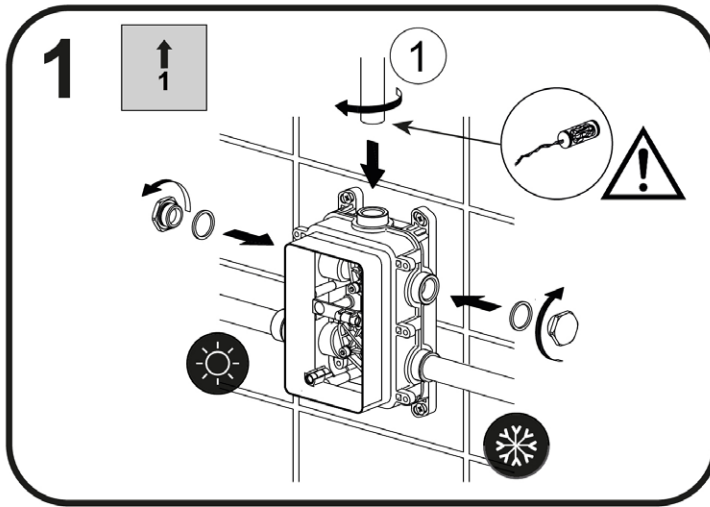
www.cifial.co.uk
sales@cifial.co.uk



Max. 16bar with water - Max. 3hours

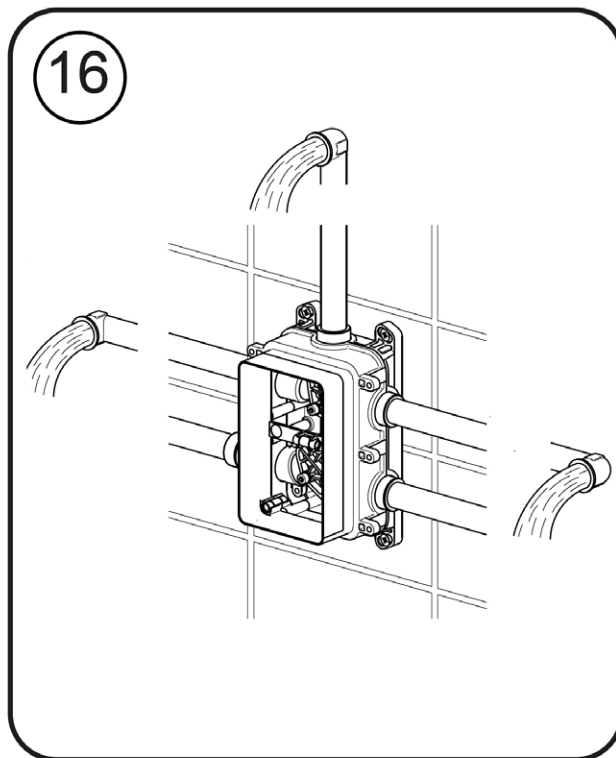
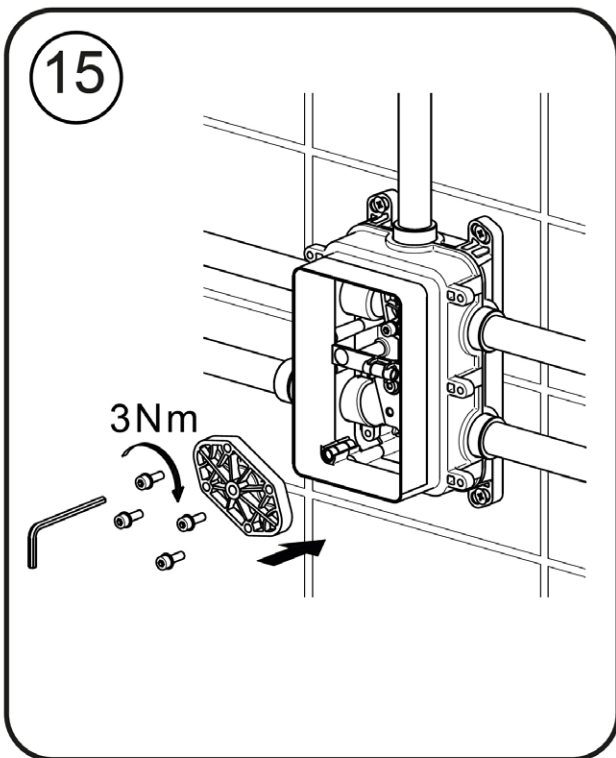
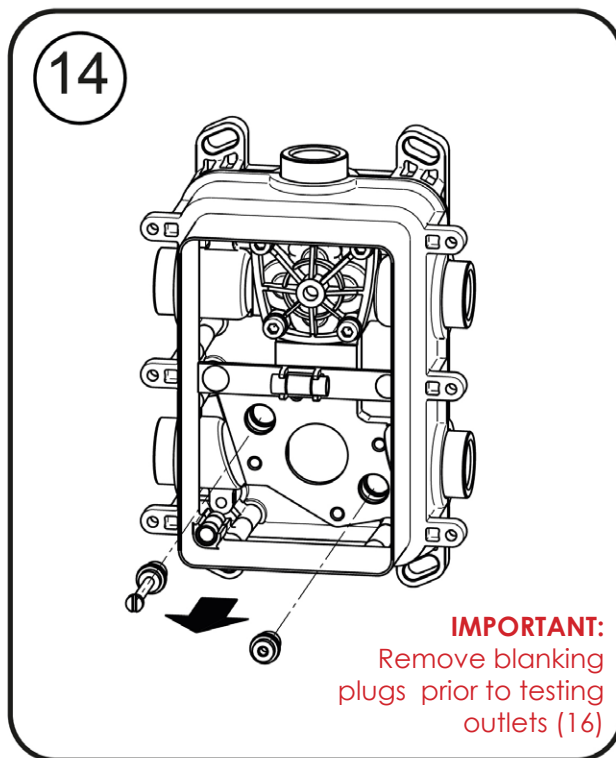
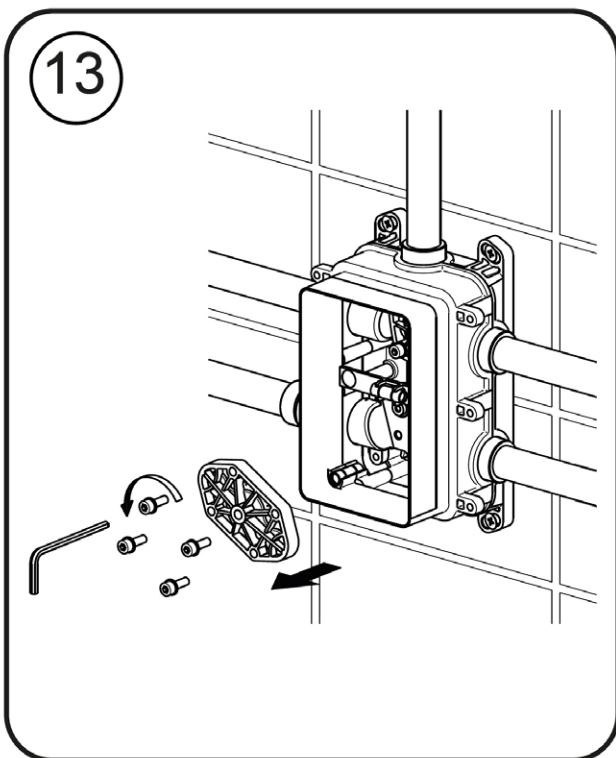


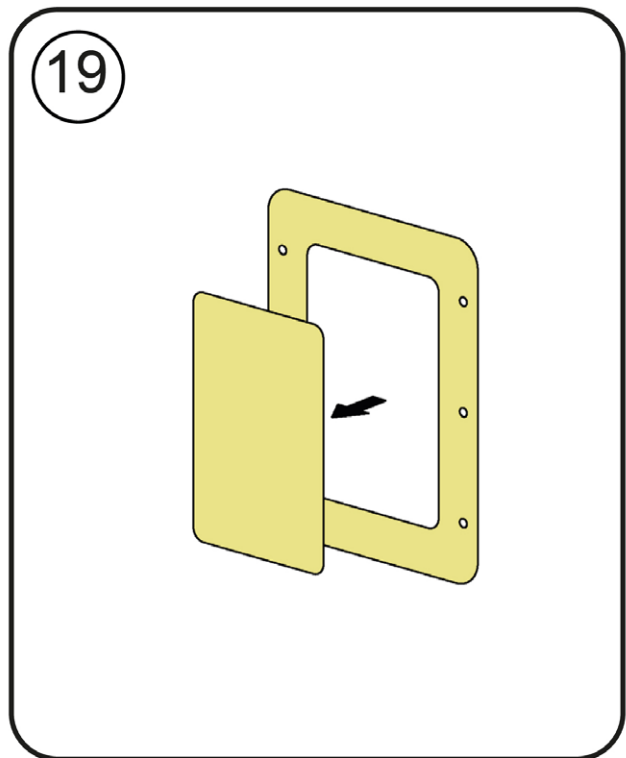
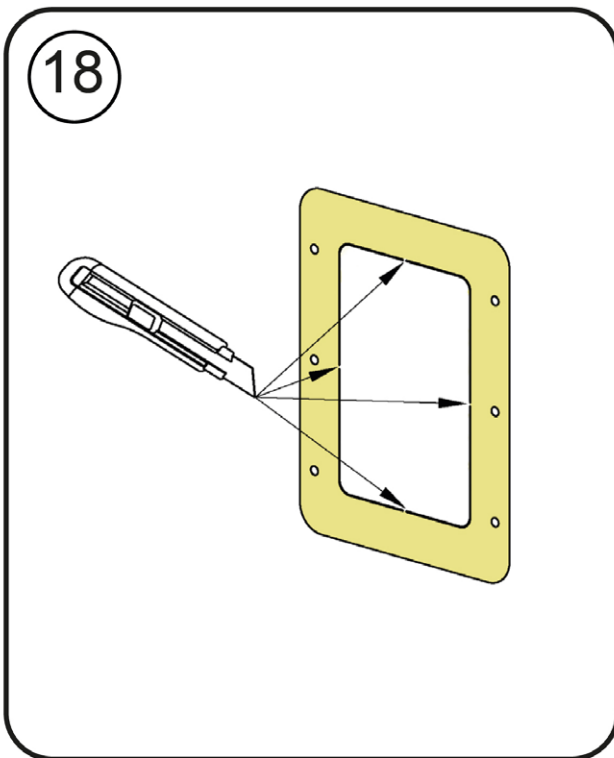
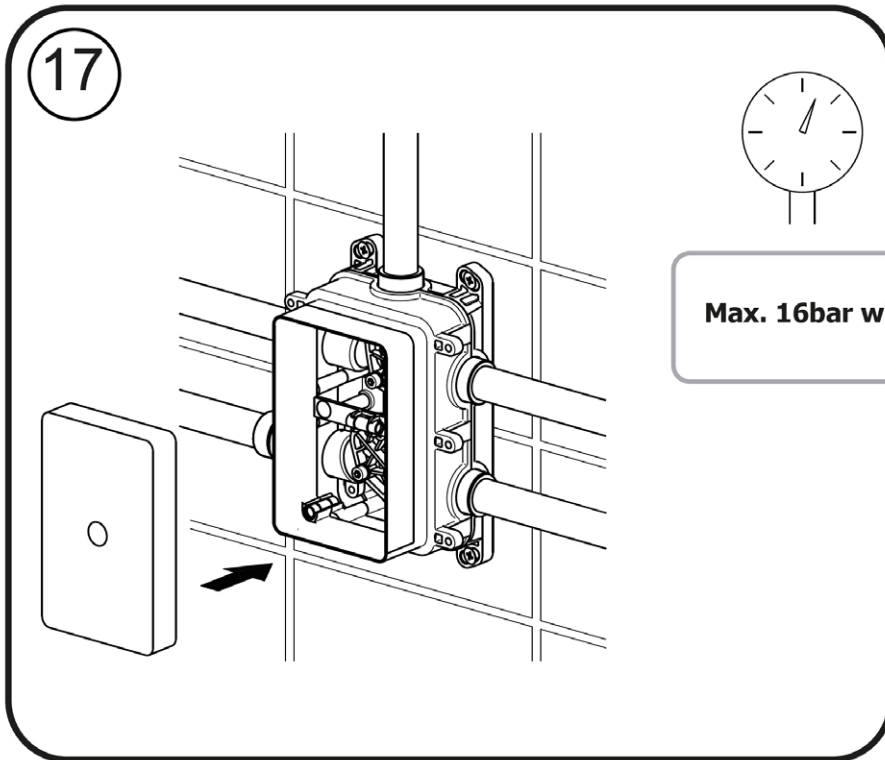
12



CIFIAL®

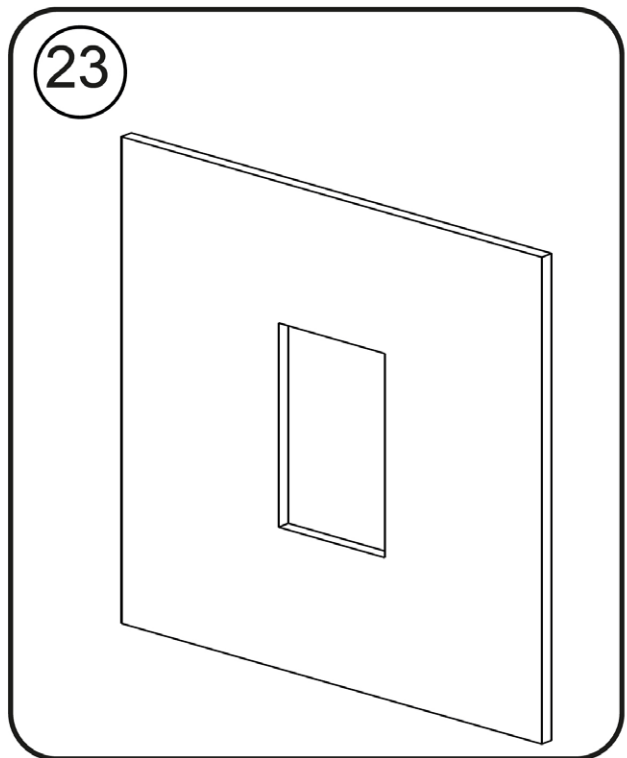
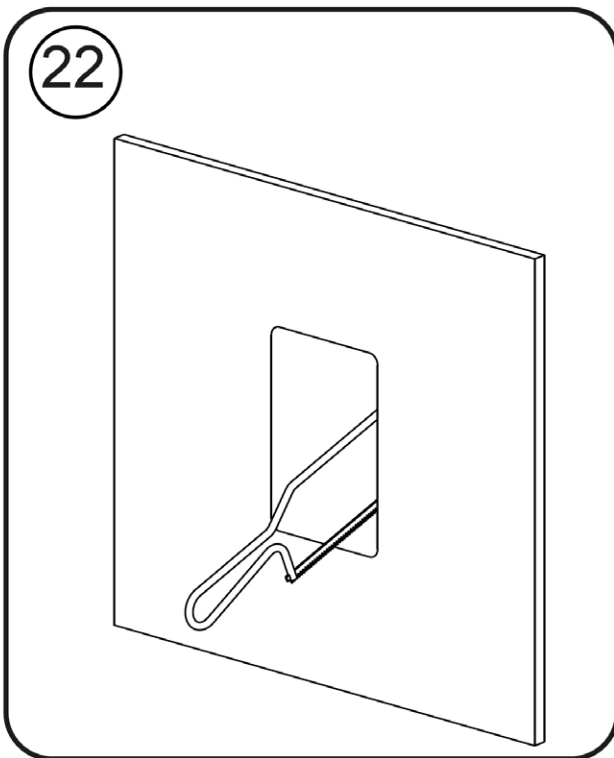
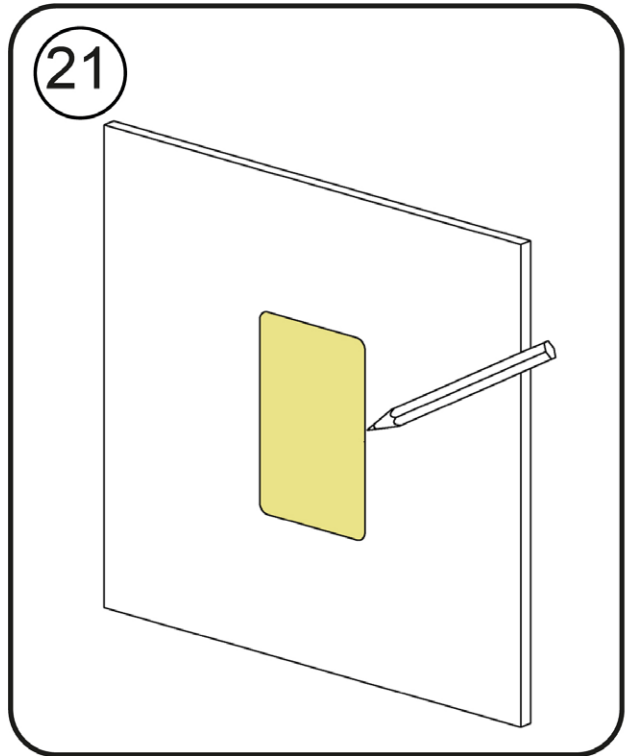
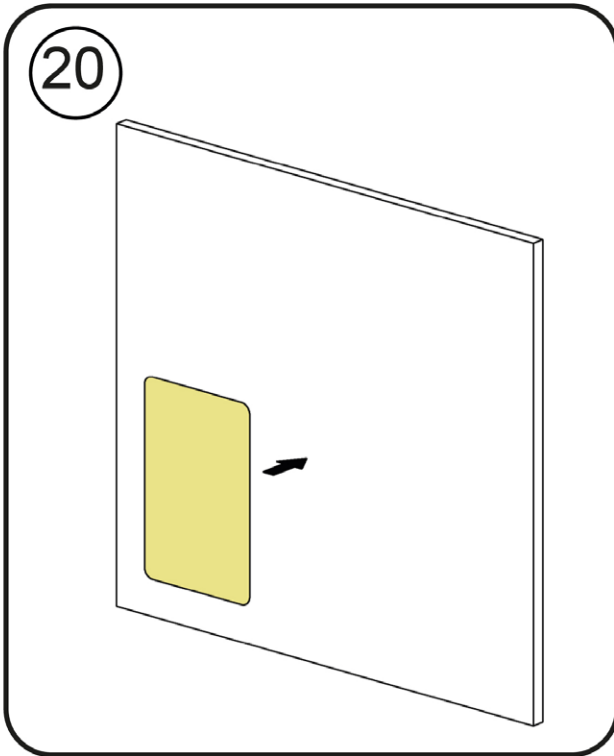
www.cifial.co.uk
sales@cifial.co.uk

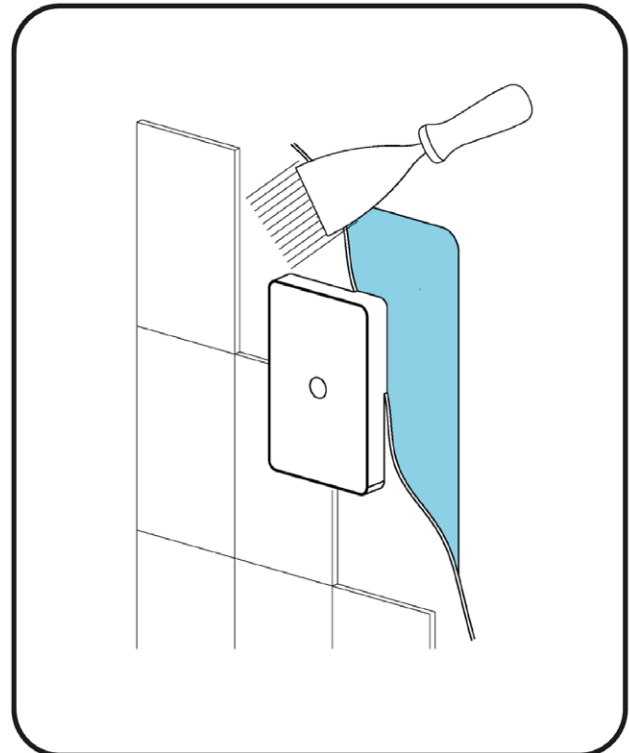
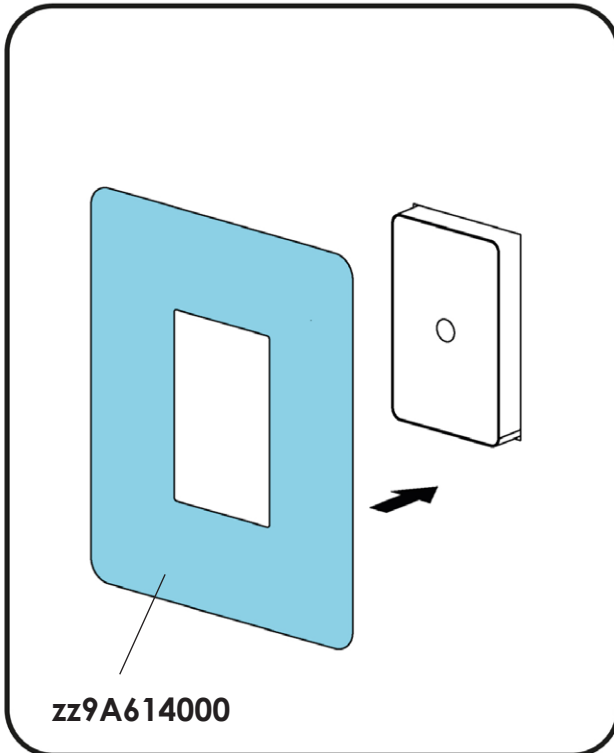
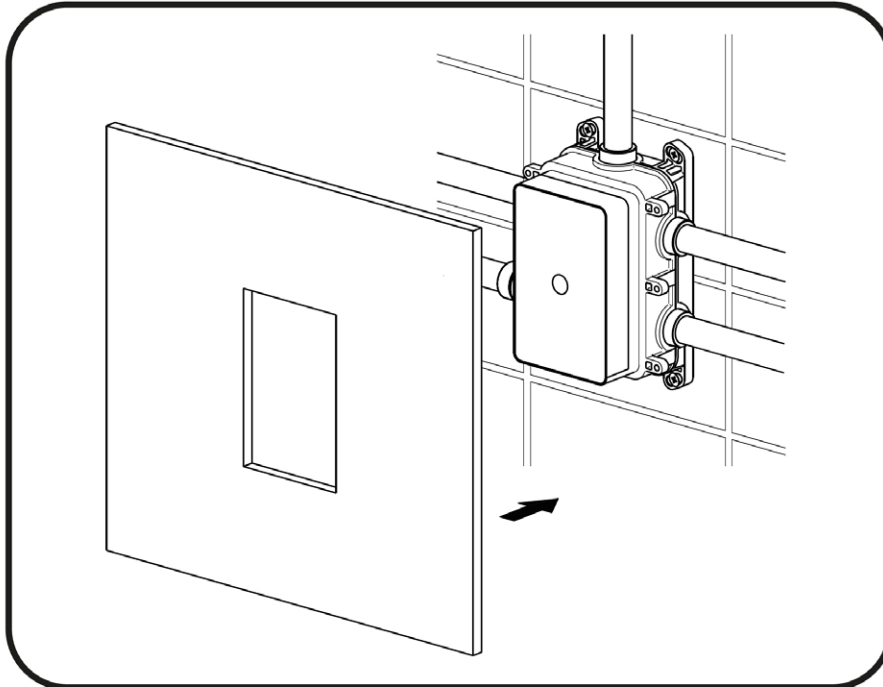




CIFIAL®

www.cifial.co.uk
sales@cifial.co.uk





CIFIAL®

www.cifial.co.uk
sales@cifial.co.uk

CIFIAL®

**CIFIAL UK LTD
7 Faraday Court
Park Farm Ind Est
Wellingborough
Northants
NN8 6XY
www.cifial.co.uk
sales@cifial.co.uk
Tel: 01933 402008**

IMPORTANT: Please leave these instructions with the user and keep them